

## SPECIFICATION

Product Name

Multipole power connector

Part No

SG175 Series

一、 Outline and dimensions: Outline and dimensions of the connector is shown on the following drawing

二、 Technical Parameters:

1. Product Specifications

1-1.Rated current(Amperes): 175A

1-2.Rated voltage(Volts): 600V

1-3.Insulation Resistance:5000M $\Omega$

1-4.contact Resistance(micro-ohms): <95

1-5.Voltage Proof:2200V(DC)

1-6.Life:

a. Without load(Contact/Disconnect Cycles):To 10000

b. With Load(Hot Plug 250 Cycles& 120V):75A

1-7.Flammability:UL94 V-0

1-8.Average.Connection/disconnect(N):

a. The insertion force of finished products :  $\geq 4$ kgf

b. The pullout force of finished products:  $\geq 4.5$ kgf

c. The pulling capacity between wire and terminal, It' s in line with UL standard

1-9.Contact Barrel Wire Size(AWG):04AWG~1/0AWG

1-10.Connector holding force(LBF):500N Min

1-11.Environment Temperatures( $^{\circ}$ C):-20 $^{\circ}$ C---125 $^{\circ}$ C

2. Material and Surface performance

2-1.Material of terminal: Red copper

2-2.Process of production: Precision punching

2-3.Fully Ag-plating on surface, it's Ag-plating thickness is 1 $\mu$ m

2-4.Shrapnel:Stainless steel

2.5.Process of production: Precision punching

2-6.Housing: Material PC

2-7. Process of production: Plastic Injection

三、 (Packing and Storage)

1. Standard packing qty: 100pcs/carton for connector; 200pcs/bag for terminal; mate with way:1connector uses 2 terminal.

2.The products storage condition: temperature: 5-30 $^{\circ}$ C ,relative humidity:80%, store in no acidic nor alkaline and no corrosive atmosphere warehouse, storage period: 2years.

# SPECIFICATION

Product Name

Multipole power connector

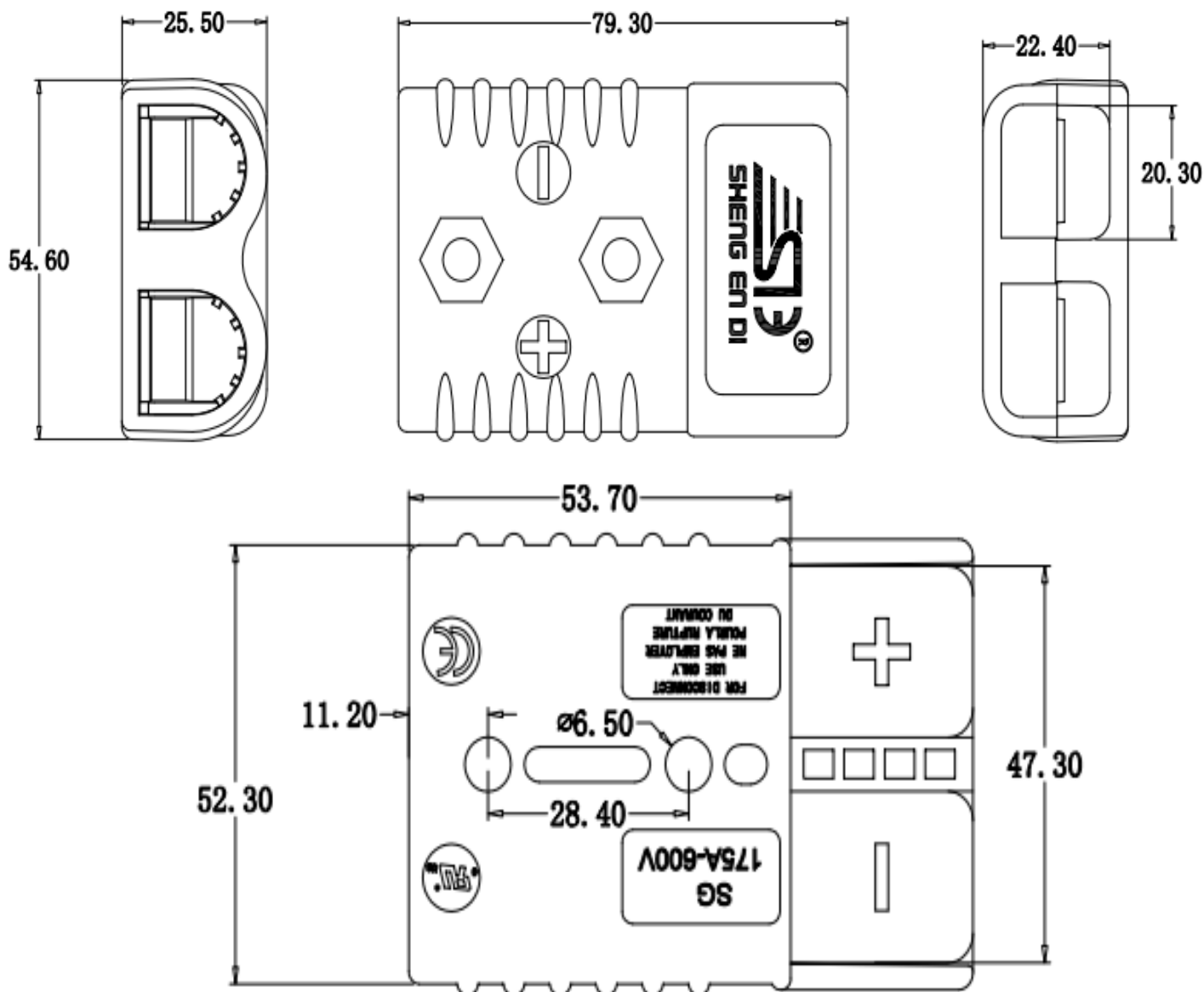
Part No

SG175 Series

## 四、Ordering Information

### 1.Housing

Part Number	Housing Color	Part Number	Housing Color
SG175H-BL	Black	SG175H-GR	Green
SG175H-BR	Brown	SG175H-BU	Blue
SG175H-RE	Red	SG175H-PU	Purple
SG175H-OR	Orange	SG175H-GY	Gray
SG175H-YE	Yellow	SG175L-WH	White



## SPECIFICATION

Product Name

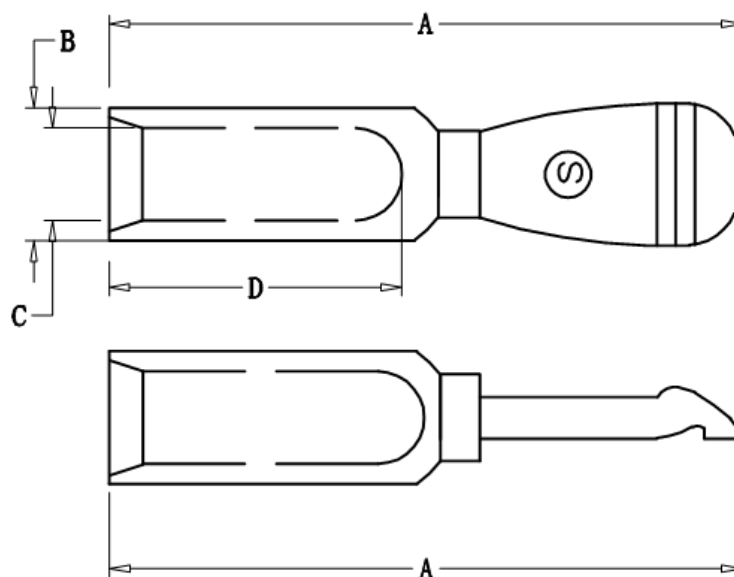
Multipole power connector

Part No

SG175 Series

### 2.Terminal

Part Number	-A- (mm)	-B- (mm)	-C- (mm)	-D- (mm)	Wire size	Current
SGD1382-T	57.8	12.8	11.2	21	1/0AWG	175A
SGD1383-T	57.8	12.8	8.9	21	2AWG	150A
SGD1384-T	57.8	12.8	7.6	21	4AWG	120A



Item	Name	QTY	Material	Remarks	Remarks:		
1	Housing	1	PC1010		1. Please fax to us the CS when you confirmed. ( Fax : 0769-27280273) 。 2. If the products listed in the book need to be re-opened for more than 1 year, please fax the copy to our company for confirmation.		
2	Shrapnel	2	Stainless steel				
3	Terminal	2	Red copper	Ag-plating thickness			
Revision	Change the content			Date	Producer	Corrector	Approved
					Anne	Jack	David Xiao
					Proportion		1:1
					Unit		MM

## SPECIFICATION

Product Name

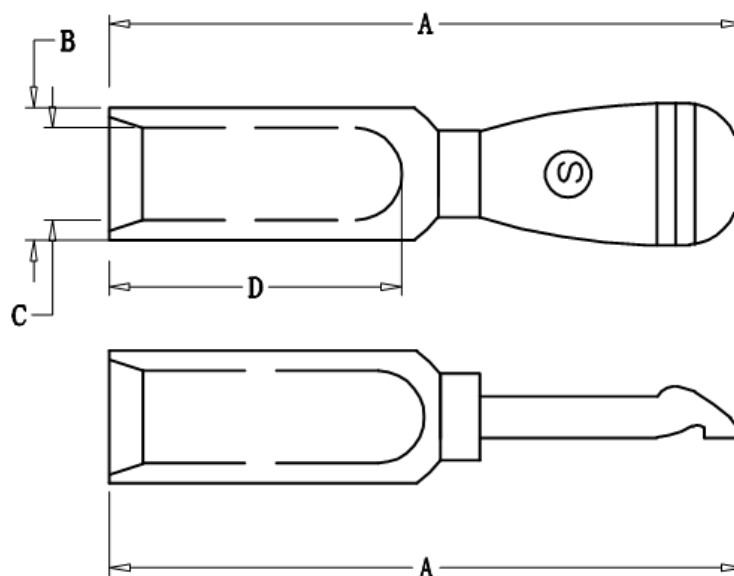
Multipole power connector

Part No

SG175 Series

### 3.Terminal

Part Number	-A- (mm)	-B- (mm)	-C- (mm)	-D- (mm)	Wire size	Current
SGD1482-T	54.5	10.8	8.4	25	2AWG	150A
SGD1483-T	54.5	10.8	7.5	25	4AWG	120A
SGD1484-T	54.5	10.8	5.6	25	6-8AWG	100A



Item	Name	QTY	Material	Remarks	Remarks:		
1	Housing	1	PC		1. Please fax to us the CS when you confirmed. ( Fax : 0769-27280273 ) 。		
2	Shrapnel	2	Stainless steel		2. If the products listed in the book need to be re-opened for more than 1 year, please fax the copy to our company for confirmation.		
3	Terminal	2	Red copper	Ag-plating thickness			
Revision	Change the content			Date	Producer	Corrector	Approved
					Anne	Jack	David Xiao
					Proportion		1:1
					Unit		MM

# SPECIFICATION

Product Name

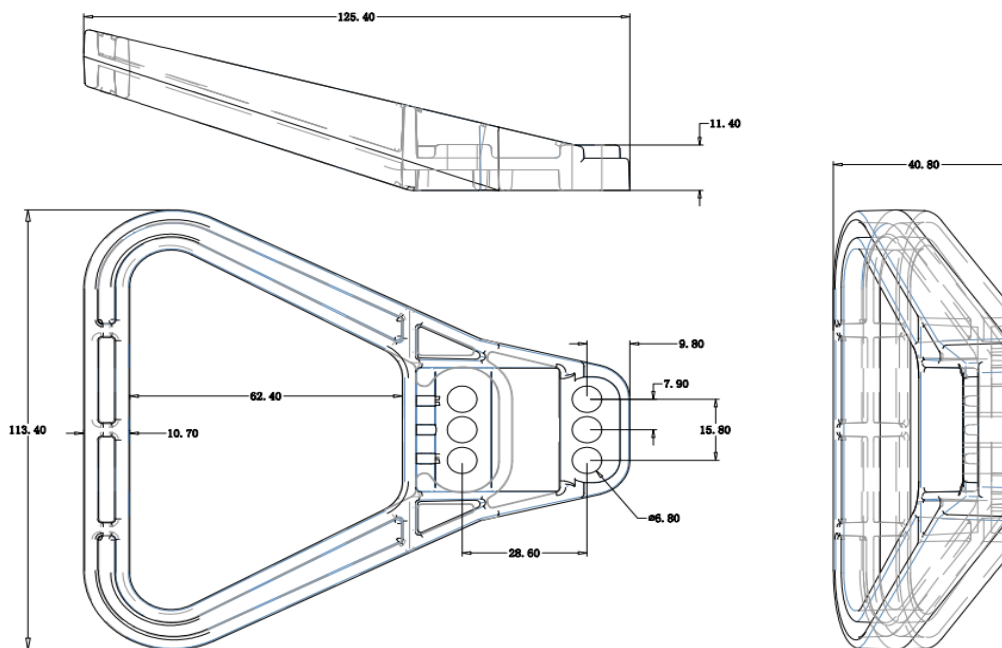
Multipole power connector

Part No

SG175 Series

## 5.Auxiliary-Handle

Part Number	-A- (mm)	-B- (mm)	-C- (mm)	-D- (mm)	-E- (mm)	-F- (mm)	-G (mm)
SG112G3-RE	41	113	6.6	6.0	125.5	28.7	76.0
SG112G3-GY	41	113	6.6	6.0	125.5	28.7	76.0



Item	Name	QTY	Material	Remarks	Remarks:			
1	Handle	1	PC		1. Please fax to us the CS when you confirmed. ( Fax : 0769-27280273) .			
2	Screw	2	Iron	Zinc-plating	2. If the products listed in the book need to be re-opened for more than 1 year, please fax the copy to our company for confirmation.			
3	Nut	2	Iron	Zinc-plating				
Revision	Change the content			Date	Producer	Corrector	Approved	
					Anne	Jack	David Xiao	
					Proportion		1:1	
					Unit		MM	

# SPECIFICATION

Product Name

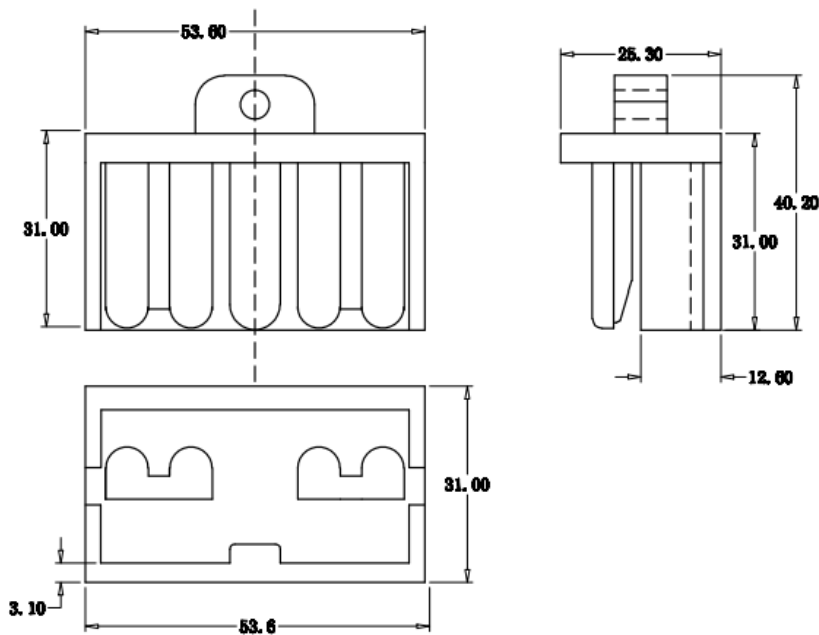
Multipole power connector

Part No

SG175 Series

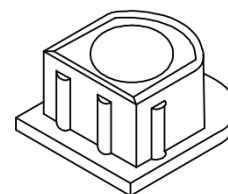
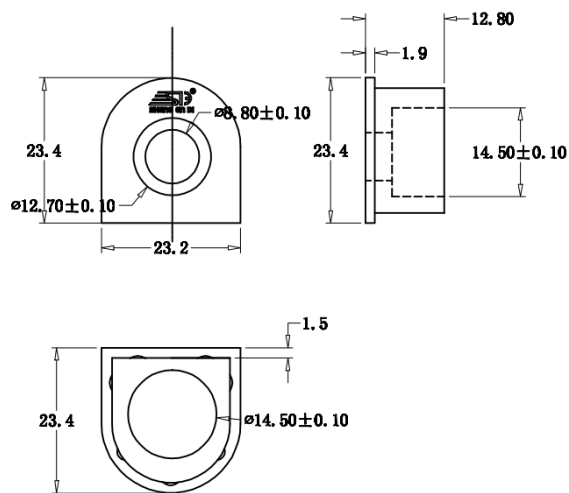
6.Dust cover:

Part Number
SG113F2-BL



6.Solid line plug:

Part Number	Thread hole
S115F1-RE	11.2
S115F2-RE	8.5



# SPECIFICATION

Product Name

Multipole power connector

Part No

SG175 Series

7.Dust cover:

Part Number
SG113F1-RE
SG113F1-BL

